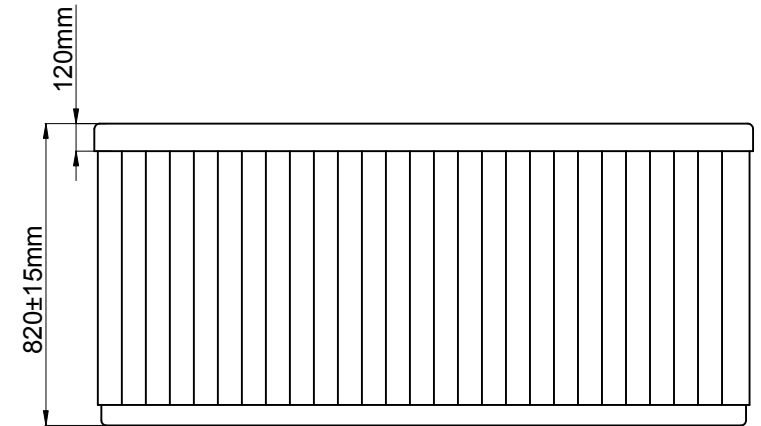
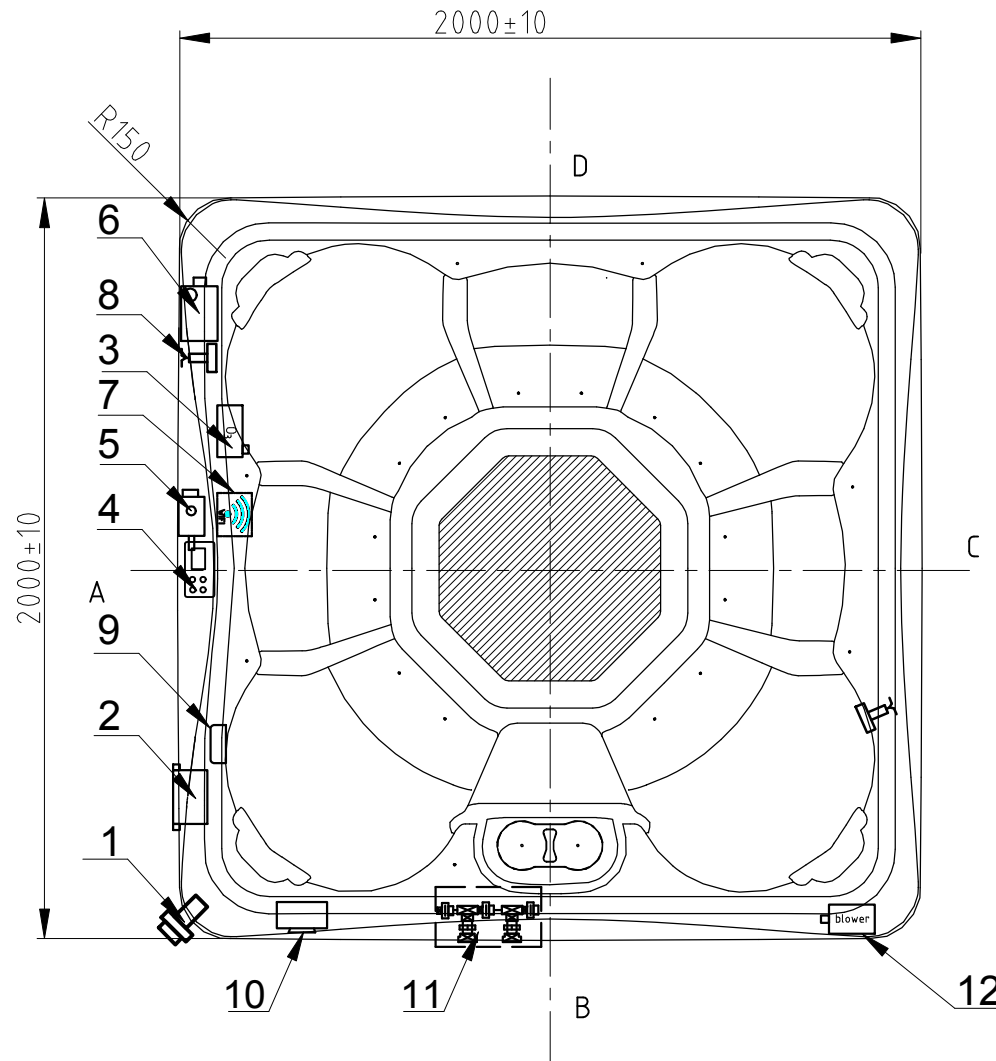


Notes: Due to manufacturing tolerances, there could be some minor differences between the actual spa and the drawing above. If site planning is critical to such tolerances, be sure to measure your actual spa. All specifications are subject to change without notice. Some components may be optional on your spa. For instance HCB330S configuration with 1" air jet, HCA330 Snot configuration with 1" air jet.

15		Stainless Steel Low Drain - 3/4" Slip	1	pcs
14		2 inch Style Directional Jet	16	pcs
13		1" Air Injector Assembly-Multi-Flow-SS Face	14	pcs
12		2.5" Lifting Fountain	2	pcs
11		Ozone Injector	2	pcs
10		Perimeter LED	8	pcs
9		3 inch Jet Internal-Single Spin	9	pcs
8		Fountain valve	1	pcs
7		Twin Cilinder Skimmer	1	pcs
6		3.5" Lampshade	1	pcs
5		2" Suction (full set)	2	pcs
4		Headrest	4	pcs
3		4 inch Jet Internal-Single Spin	4	pcs
2		1 inch Air Controller	2	pcs
1		2 inch Water diverter valve	1	pcs
NO.	Icon	Description	Qty	Unit

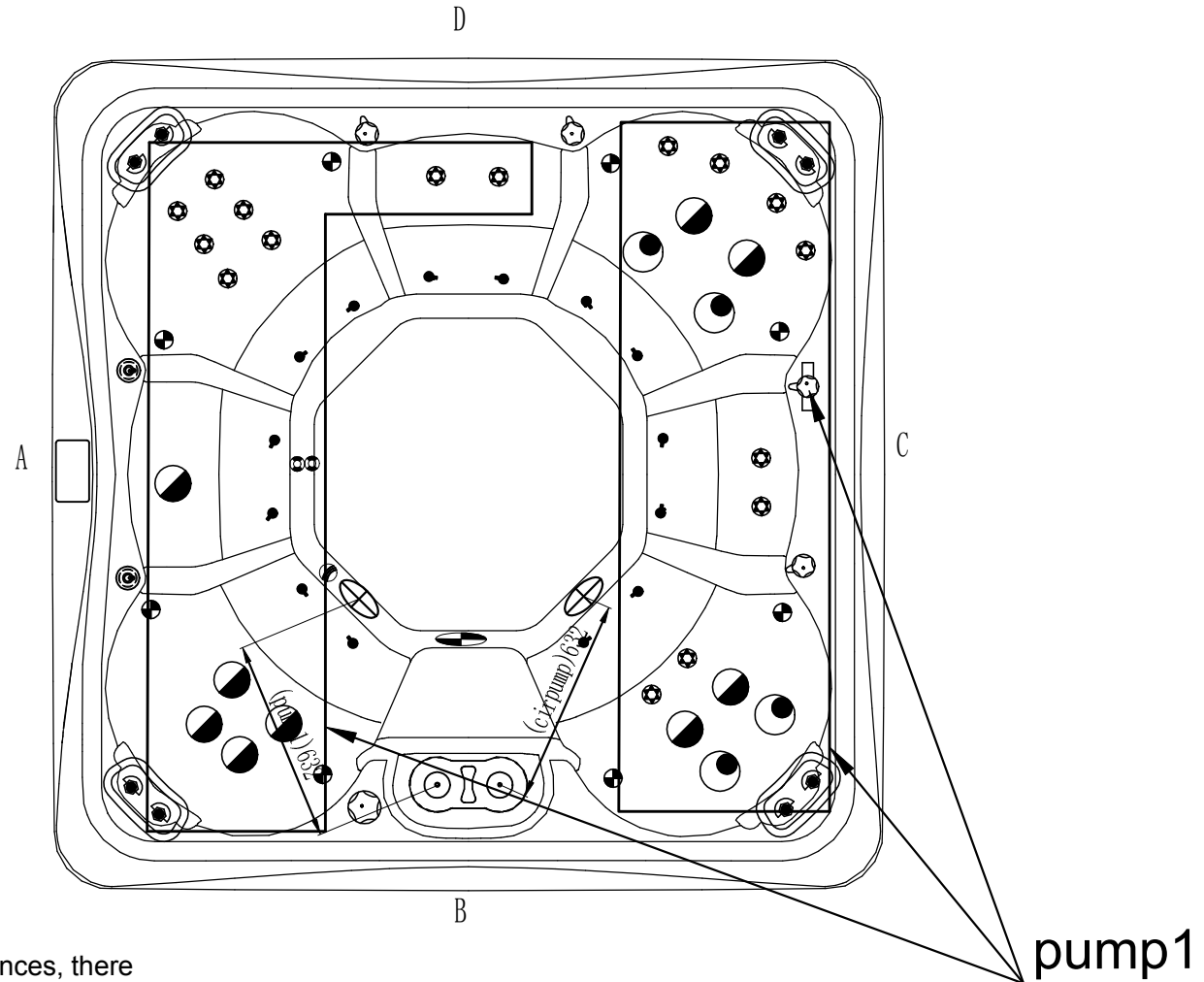
Business Plan



Notes: Due to manufacturing tolerances, there could be some minor differences between the actual spa and the drawing above. If site planning is critical to such tolerances, be sure to measure your actual spa. All specifications are subject to change without notice. Some components may be optional on your spa

12		Blower (depends on specifications)	1	pcs
11		Heat pump ready unit(Optional)	1	pcs
10		Subwoofer(Optional)	1	pcs
9		In.stream(Optional)	1	pcs
8		Transducer Speaker(Optional)	2	pcs
7		WiFi	1	pcs
6		Single Speed Pump	1	pcs
5		Circulation Pump	1	pcs
4		Control Panel	1	pcs
3		CD Ozone Generator	1	pcs
2		Control Box	1	pcs
1		External Drain	1	pcs
NO.	Icon	Description	Qty	Unit

Therapy Assignment



Notes: Due to manufacturing tolerances, there could be some minor differences between the actual spa and the drawing above. If site planning is critical to such tolerances, be sure to measure your actual spa. All specifications are subject to change without notice. Some components may be optional on your spa